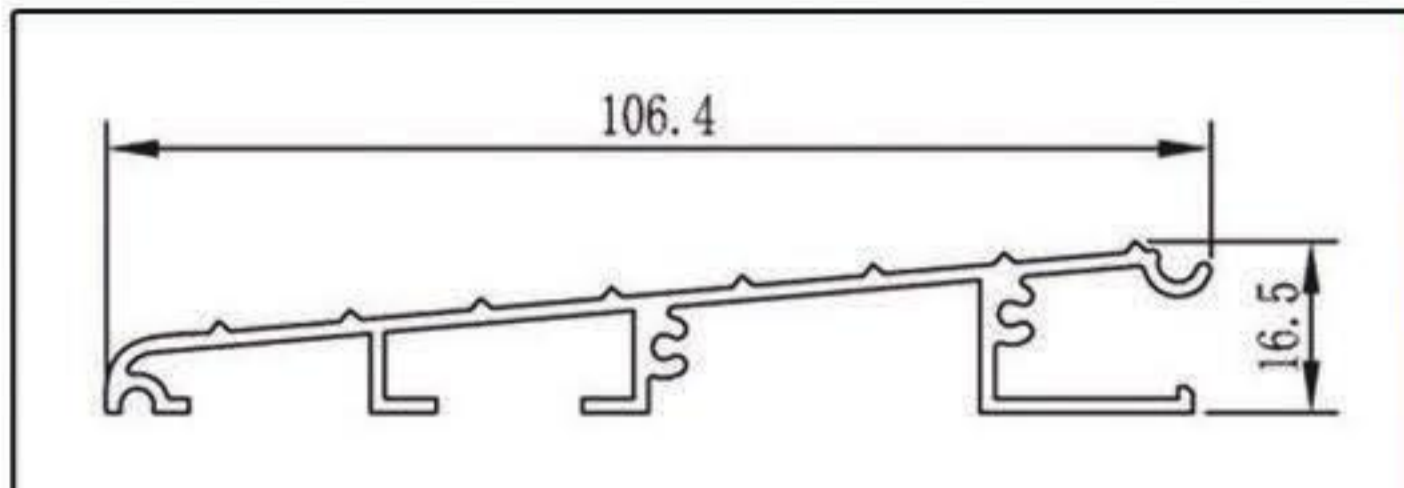


ZJDG137

- Mill finish thresholds are supplied with zinc plated screws
- Color anodized thresholds are supplied with screws plated to match

Manufacturer	ZJD
Threshold Application	Door Thresholds
Threshold Width	77.9 mm
Threshold Height	19.3 mm
Threshold Grade	Commerical- Standard
Material	Aluminum

Durable Thresholds

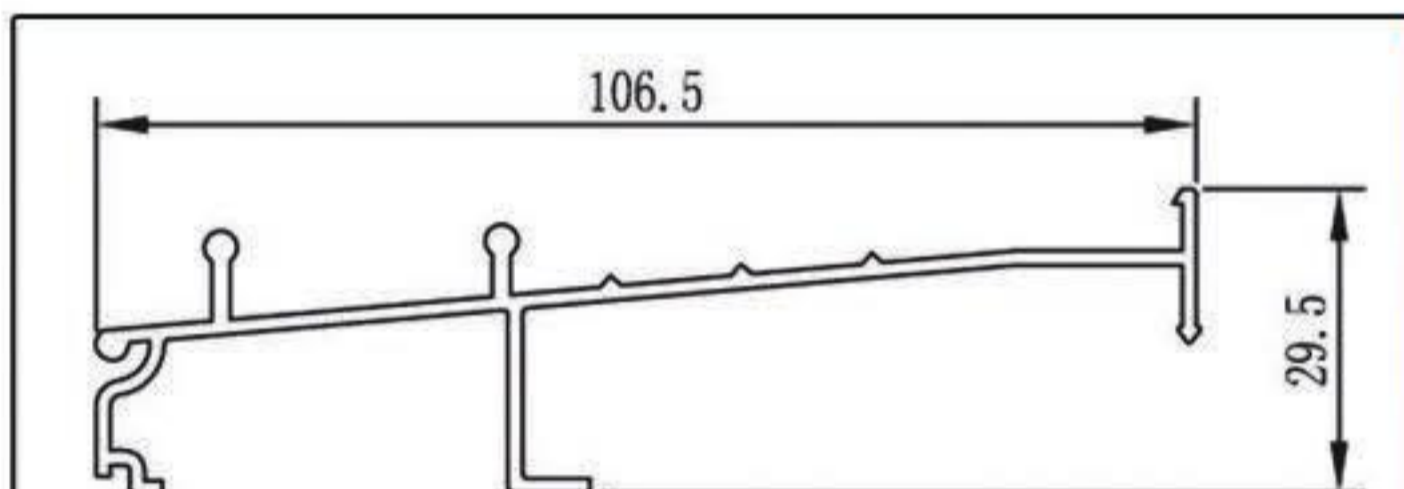


ZJDG138

- Mill finish thresholds are supplied with zinc plated screws
- Color anodized thresholds are supplied with screws plated to match

Manufacturer	ZJD
Threshold Application	Door Thresholds
Threshold Width	106.4 mm
Threshold Height	16.5 mm
Threshold Grade	Commerical- Standard
Material	Aluminum

Durable Thresholds

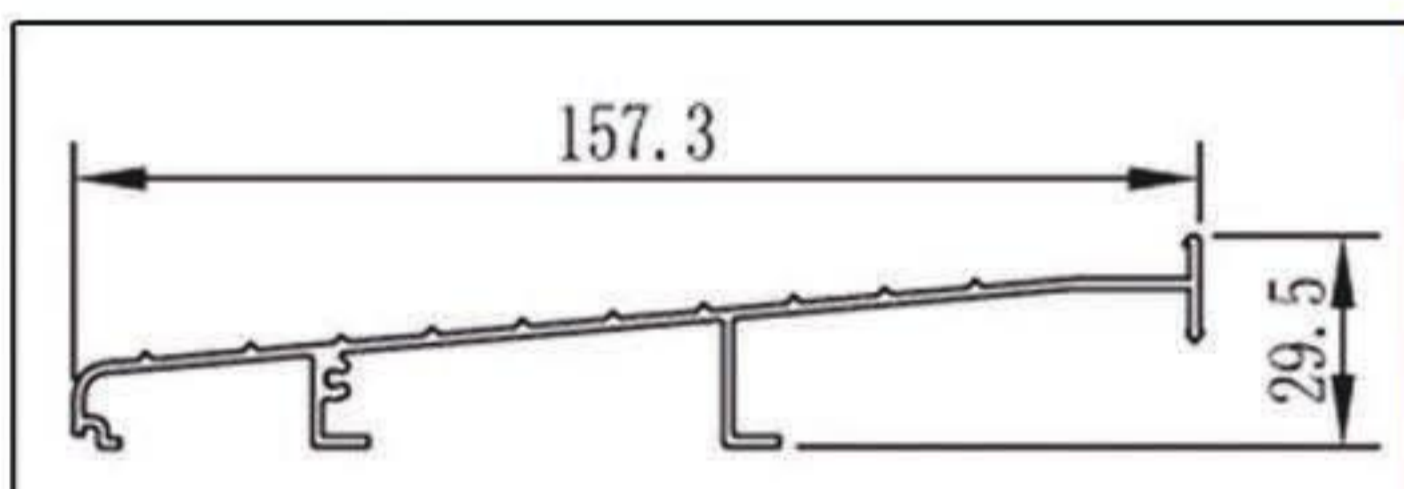


ZJDG139

- Mill finish thresholds are supplied with zinc plated screws
- Color anodized thresholds are supplied with screws plated to match

Manufacturer	ZJD
Threshold Application	Door Thresholds
Threshold Width	106.5 mm
Threshold Height	29.5 mm
Threshold Grade	Commerical- Standard
Material	Aluminum

Durable Thresholds

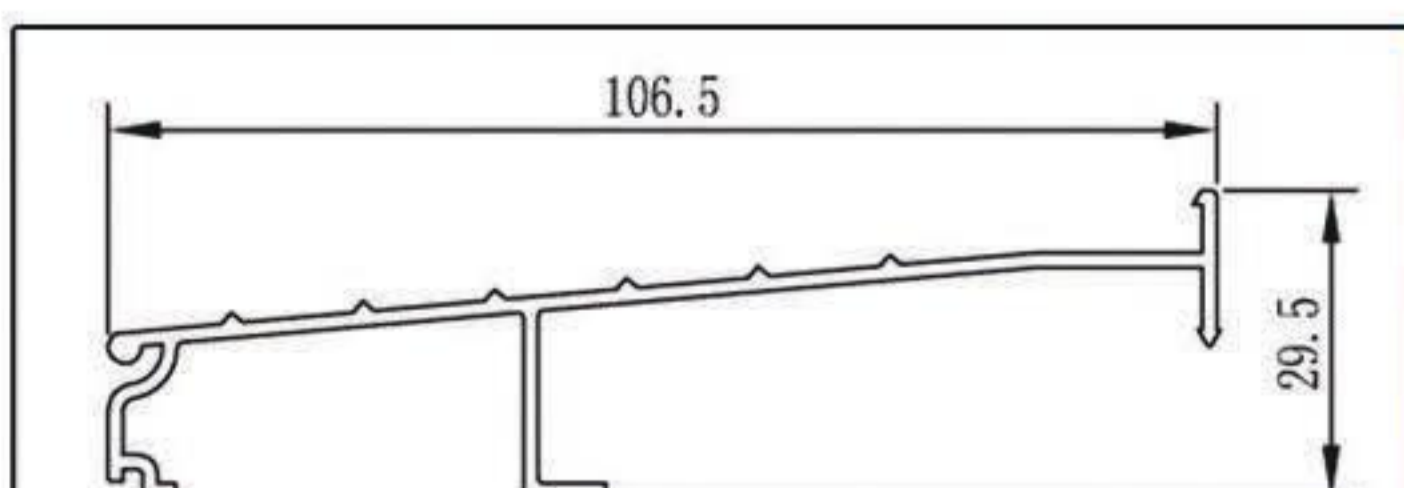


ZJDG140

- Mill finish thresholds are supplied with zinc plated screws
- Color anodized thresholds are supplied with screws plated to match

Manufacturer	ZJD
Threshold Application	Door Thresholds
Threshold Width	157.3 mm
Threshold Height	29.5 mm
Threshold Grade	Commerical- Standard
Material	Aluminum

Durable Thresholds



ZJDG227

- Mill finish thresholds are supplied with zinc plated screws
- Color anodized thresholds are supplied with screws plated to match

Manufacturer	ZJD
Threshold Application	Door Thresholds
Threshold Width	106.5 mm
Threshold Height	29.5 mm
Threshold Grade	Commerical- Standard
Material	Aluminum

Durable Thresholds

